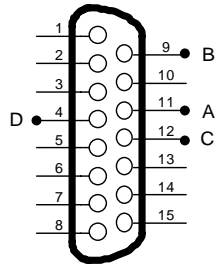


Radio connectors

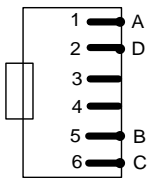
T700 front of radio body

DB15 Male



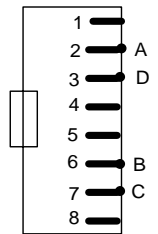
T2000 or T500 Mic Socket

RJ12 Socket

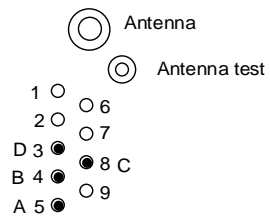


TM8000, TB7100 or TM9000 Mic Socket

RJ45 Socket



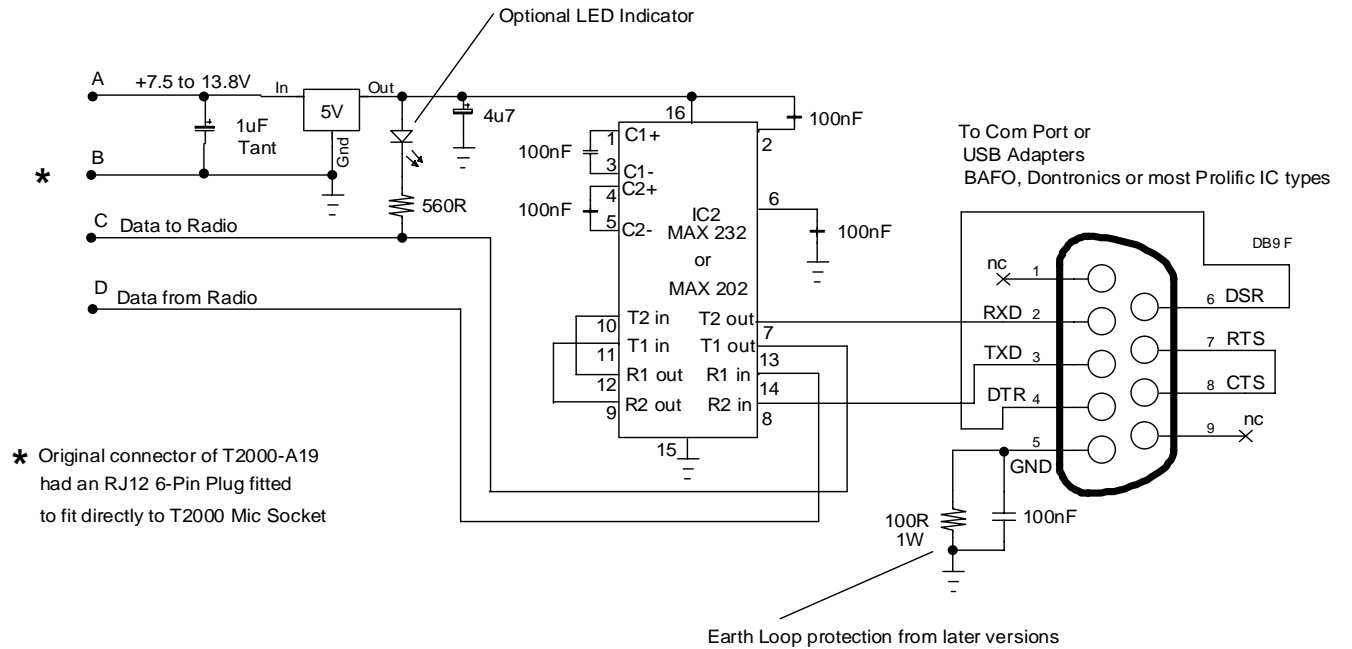
T3000 Acc Connector top of Radio



This adapter will work with T700, T500, T2000, TM7100, TM8000, TM9000, T3000 and TP8100 with an appropriate connector from A,B,C and D to the Radio programming port.

Will not work on TP7110, TP9000 or T800

Original T2000-A19



* Original connector of T2000-A19 had an RJ12 6-Pin Plug fitted to fit directly to T2000 Mic Socket

Earth Loop protection from later versions

Title Tait Programming Adapter		
Author niteviser		
File \\My Documents\Drawings\Tait Programming.dsn	Document	
Revision 1.0	Date	Sheets 1 of 1